

Features

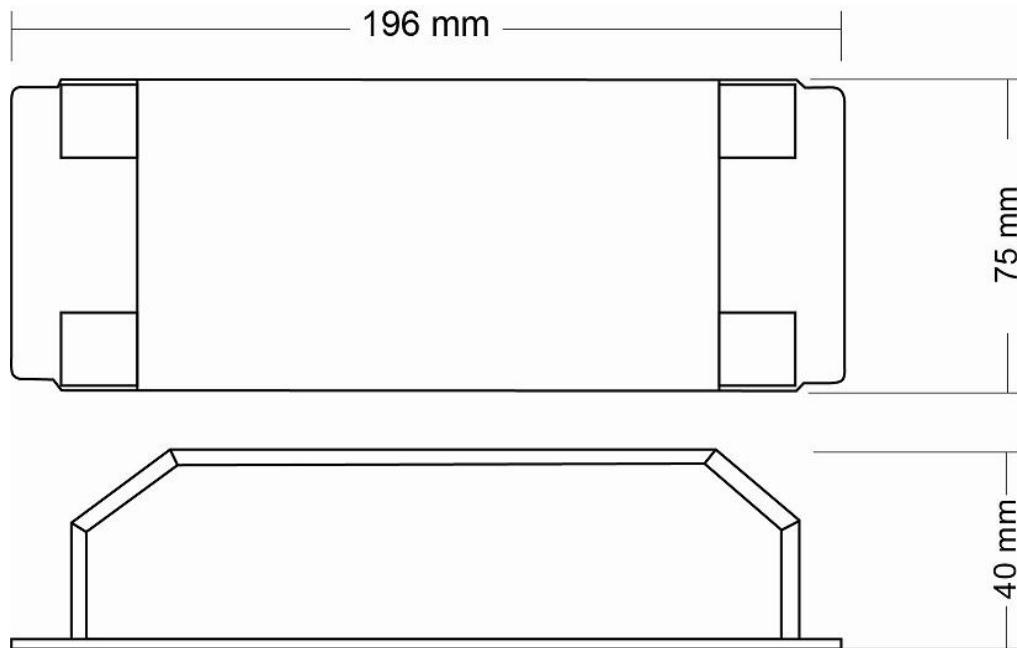
- Single channel constant voltage, 12VDC output.
- Meet DALI Protocol IEC62386
- Wide range of input voltage 100VAC ~ 240VAC
- Support Touch-DIM function
- High efficiency up to 92%
- Built-in active PFC function
- Protections: Short circuit, Over current.
- IP 20 design
- Suitable for indoor LED lighting application



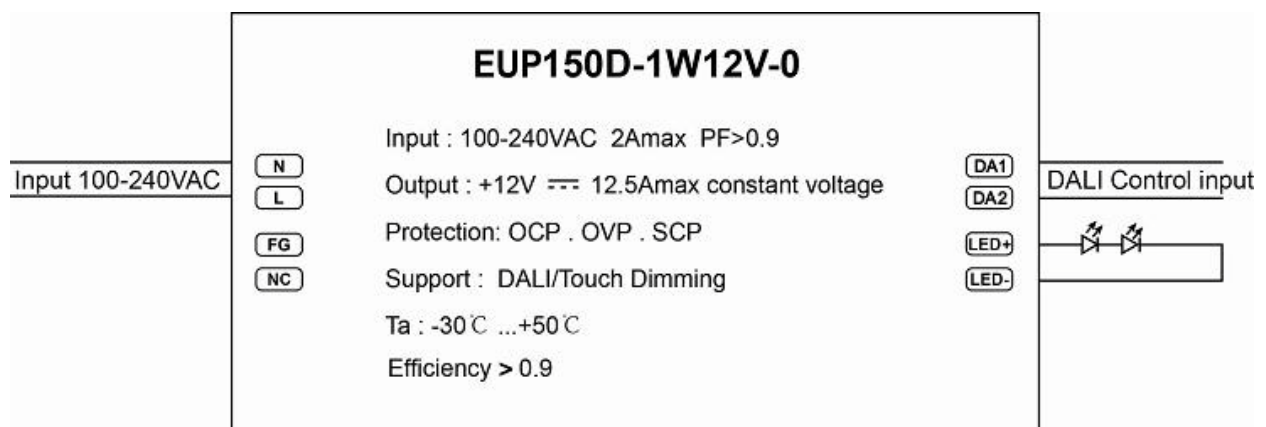
Specification

Model		EUP150D-1W12V-0
Output	DC Voltage	DC 12V
	Current	12.5A Max
	Rated power	150W
	Current Accuracy	± 3%
	R & N (Max)	70mVp-p
Input	Voltage Range	100VAC – 240VAC
	Frequency Range	47 – 63Hz
	Power Factor(Typ)	PF ≥ 0.95/115VAC at rated power
	Efficiency(Typ)	92%
	AC Current(Typ)	2A@230VAC
	Leakage Current	<0.5mA/230VAC
	Inrush current(Typ)	COLD START 40A at 230VAC
Protection	Short Circuit	Constant current limiting, recovers automatically after removed
	Over current	Constant current limiting, recovers automatically after removed
Function	Dimming	DALI Dimming/Touch-dim
Others	Dimension	196(L) *75(W)* 40(H)mm
	N.W	610g
	Packing	L303*W221*H265mm, 18pcs/13kg/Carton
	Working temp.	-20°C ~ 50°C

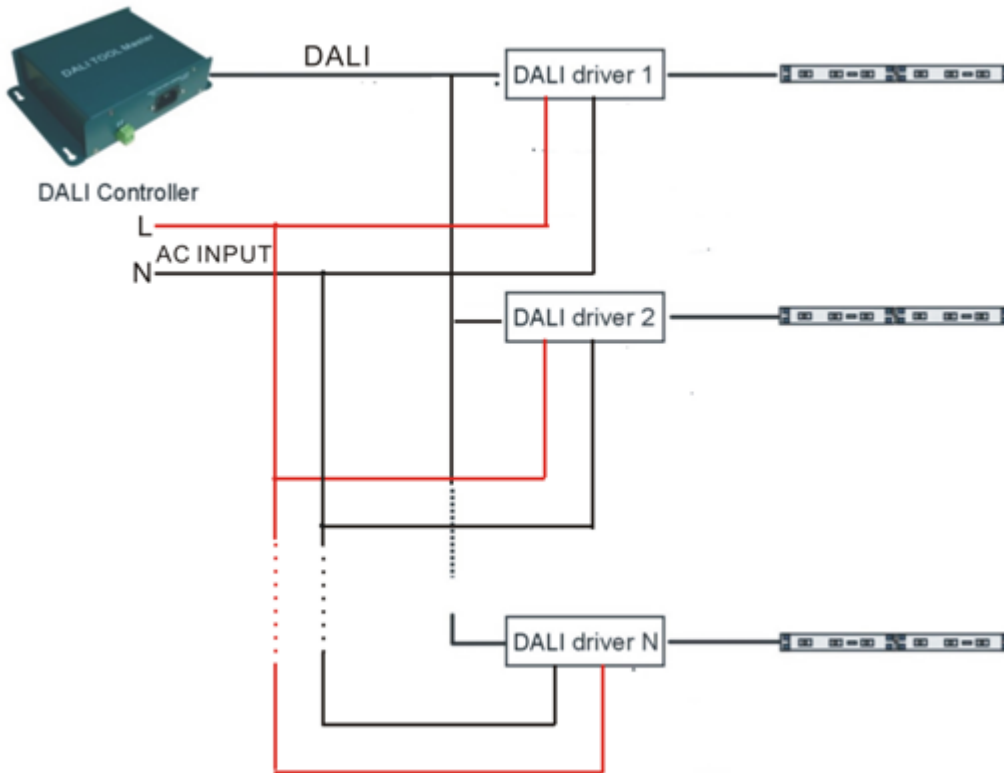
Dimension



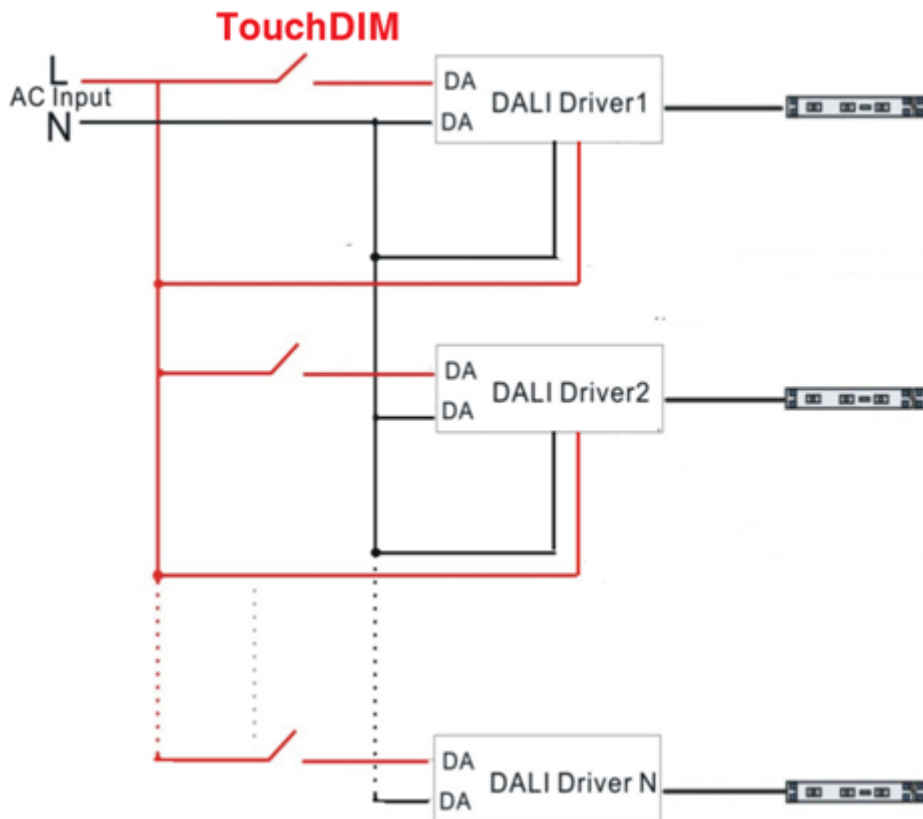
Wiring diagram



- DALI Diagram



- Touch Dim diagram



Remark: Only use open push button without indicator light. Maximum cable length between each Unit: 20 meters.

Touch DIM function

1. Short press the Touch DIM switch (<0.5s) to control the lamp on or off.
2. Long press the Touch DIM switch (>0.5s) to dim the brightness of light; The dimming direction will change every time after pressing switch.
3. When the light being turned off, long press the Touch DIM switch can turn on the light and adjust the brightness according to the dimming direction.
4. The brightness adjustment range is 1%-100%, and the light can be turned off through short pressing when do the adjustment with long pressing Touch DIM switch
5. With the Power off memory function, the power-down state will be recovered when power on again.

Cautions

1. This unit must be installed by a qualified electrician.
2. DALI and Touch DIM functions cannot be used simultaneously, which can be controlled respectively by using DALI controllers or the equipments with Touch DIM function.
3. Please read the wiring diagram before installation.
4. Use suitable mounting tools to do the wiring and mounting.
5. Please check the connecting method is correct or not before connecting the power.