

# LED DRIVER SPECIFICATIONS FOR EUP60S-700D



## Features

- Input voltage range 120~277 Vac
- High efficiency: up to 86%
- Active PFC: high power factor 0.99 typical
- Low THD 20% typical
- Dimming control: DALI
- Protection:SCP, OTP

Output Current (mA)	Input Voltage (Vac)	Output Channel	Output Voltage (Vdc)	Max Output Power (W)	Dimming	Typical Efficiency <sup>①</sup>		Typical Power Factor <sup>①</sup>			Model Number
						110Vac	230Vac	110Vac	220Vac	277Vac	
700	120~277	2	4-43	60.0	DALI	82.0%	85.0%	0.99	0.95	0.91	EUP60S-700D

## Input Specifications

Parameter	Min.	Typ.	Max.	Notes
Input Voltage(V)	100	-	305	
Input Frequency(Hz)	47	-	63	
Leakage Current(mA)	-	-	2	At 240Vac 50Hz input
Input AC Current(A)	-	-	0.75	Measured at full load and 120VAC input
	-	-	0.36	Measured at full load and 220VAC input
Inrush Current(A)	-	-	30	At 230VAC input 25°C Cold Start
Power Factor		>0.9		At 100~240Vac input, with 100% load conditions.
Total Harmonic Distortion		<20%		

## Output Specifications

	Output Current Range (mA)		Output Voltage Range (V)		Output Voltage at No Load (V)		Ripple & Noise(Vpk-pk) <sup>⑤</sup>	
	Min.	Max.	Min.	Max.	Min.	Max.	Min.	Max.
Rated Current (mA)	700	700	6	43	-	46	-	5%Vo
Line Regulation	±3%							
Load Regulation	±3%							
Turn-on Delay Time	2s, Measured at 220Vac input							

**Note:** ①All specifications are defined typically at 25°C unless otherwise specified.

⑤Load condition, Measured by 20 MHz bandwidth oscilloscope and the output paralleled a 0.1uF ceramic capacitor and a 10uF electrolytic capacitor.

## General Specifications

	Efficiency(110Vac input)		Efficiency(220Vac input)			
	Min.	Typ.	Min.	Typ.		
Rated Current(mA)	700	700	81%	82%	84%	85%
No Load Power Dissipation	<3.5W					
MTBF	400,00 hours, measured at full load, 25°C ambient temperature.					
Life Time	25,000 hours, at 40°C ambient temperature.					
Dimensions	Inches(L*W*H)		8 x 2.1x 1.34 (in)			
	Millimeters(L*W*H)		203 x 54 x 34 (mm)			
Net Weight(Typ.)	380g					

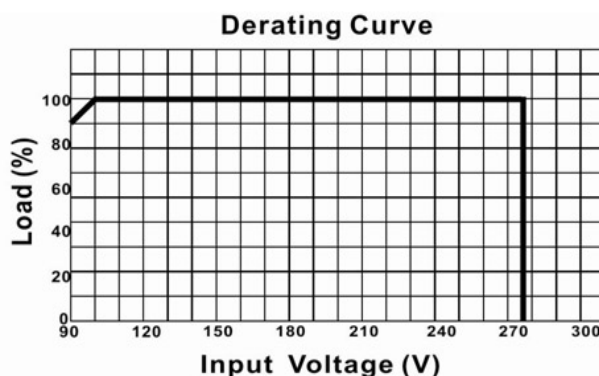
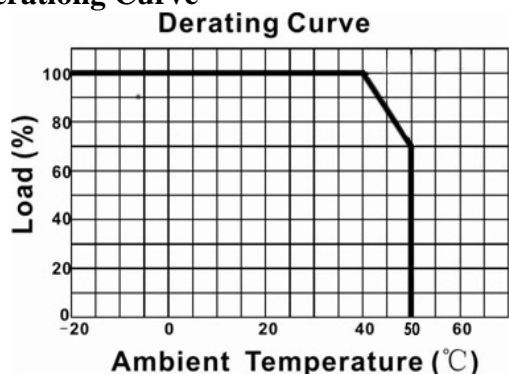
Note: All specifications are defined typically at 25°C unless otherwise specified.

# LED DRIVER SPECIFICATIONS FOR EUP60S-700D

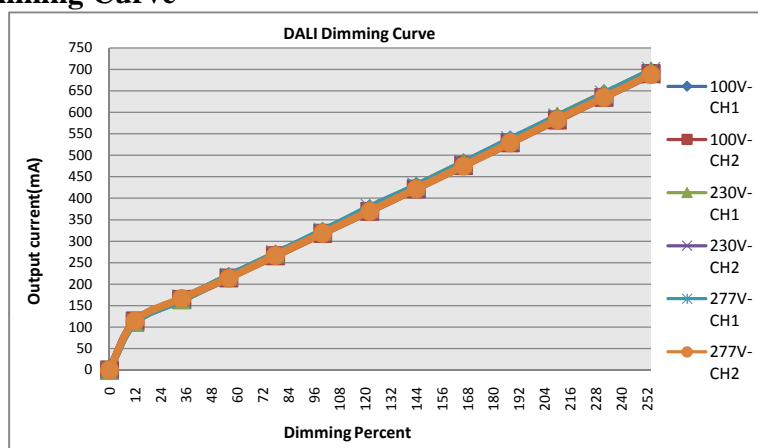
## Environmental Specifications

	Min.	Max.	Notes
Operating Temperature	-20°C	+50°C	Humidity: 5%RH to 100%RH
Storage Temperature	-40°C	+85°C	Humidity: 5%RH to 100%RH

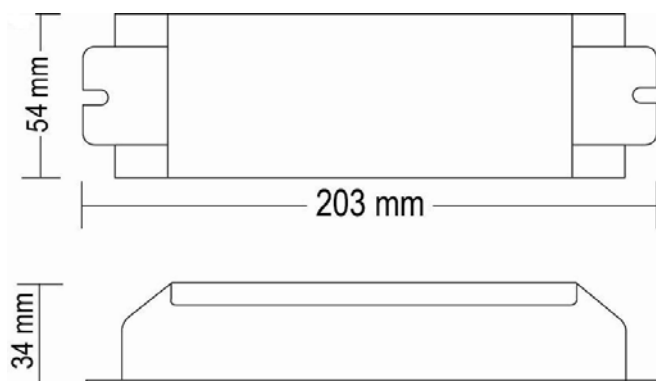
## Derating Curve



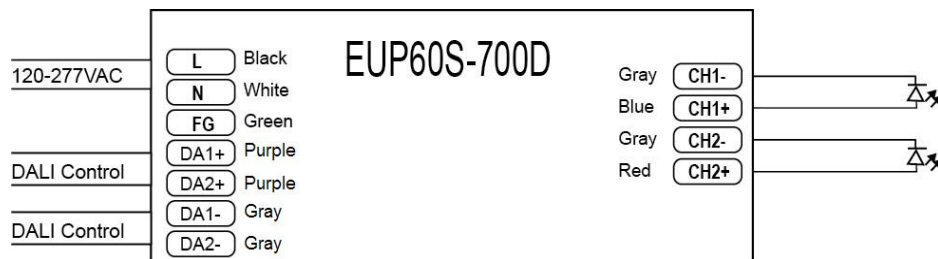
## Dimming Curve



## Mechanical Outline



## Wiring Diagram



## RoHS Compliance

Our products comply with the European Directive 2002/95/EC, calling for the elimination of lead and other hazardous substances from electronic products