



## LED Dimming Driver

- Single-channel constant current output control, every road 500mA  $\pm$  5%.
- Wide range of input voltage 100VAC-240VAC, high precision constant current.
- Be compatible with 1-10V or 1-10V voltage regulator dimmers analog dimming, dimming curve smoothing. according to the regulator, output voltage is proportional curve.
- Can be used as a 1 ~ 15W constant power supply.

## Electrical parameters

### Input

|               |             |
|---------------|-------------|
| Input Voltage | :AC100-240V |
| Frequency     | :50/60HZ    |
| Input power   | :0.3Amax    |
| Power Factor  | :0.7        |
| Efficiency    | :80%        |

### Output

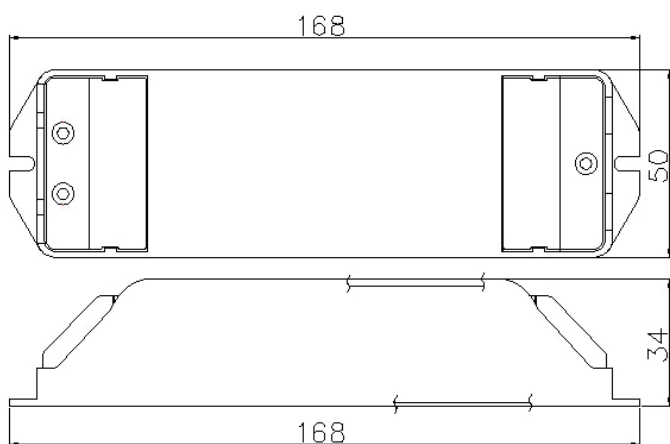
|                |                  |
|----------------|------------------|
| Output power   | :15 W            |
| Output current | : 500mA $\pm$ 5% |
| Output voltage | : DC 3~30VDC     |

## Product Specifications

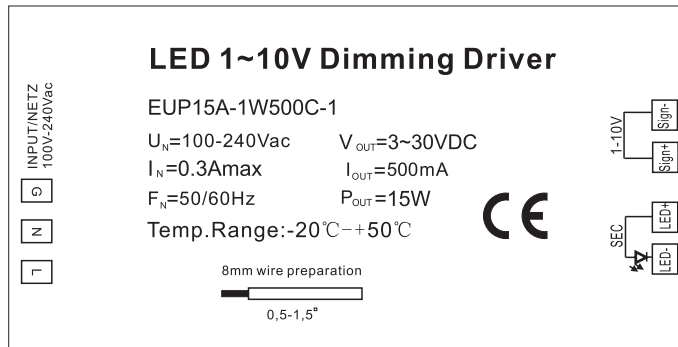
Dimensions :L168\*W50\*H34(mm)

Weight :125g

## Dimensions

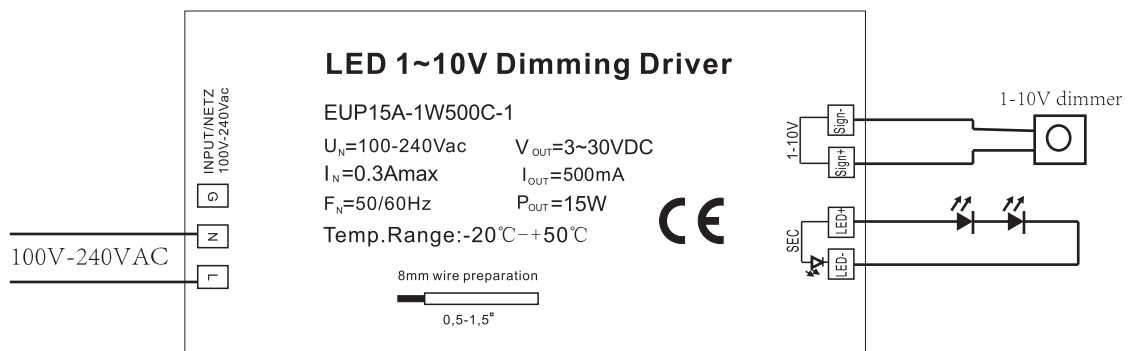


## Panel Appearance



## Wiring instruction

Schematic diagram of 1



Notes:

1. Can be accessed by 1-15 pieces 1W high power LED
2. If connect the 1V and 10V output, you can use it as a 1-15W constant power supply.